



**COOL DOG™**  
WATER FOUNTAINS.COM

**DOGGIE DEMAND  
DOG WATER SPOUT**

**DL-1000-DD**

Dog Water Spout with ADA Button

**DL-1000-DD-DWC**

Dog Water Spout with ADA Button and Hose Bib

**STANDARD FEATURES**

- 100 mesh inlet strainer
- Pushbutton requiring less than 5 pounds for activation
- Chrome plated hose bib with vacuum breaker (on DWC fountain)
- Stainless Steel, anti-rotation, non-squirt bubbler for pet spout
- Vandal resistant stainless steel access panel
- 18 gage, 304 stainless steel basin
- Heavy duty, 304 stainless steel polished to a satin finish

**VALVE SPECIFICATIONS**

Minimum/Maximum Pressure 20 to 105 psi.

**ONE YEAR WARRANTY**



**FRESH WATER  
IS A MUST  
AT THE  
DOG PARK!**





### COLOR SELECTION

Premium heavy-duty outdoor commercial powder-coated stainless steel.

**BLUE**



**BLACK**



**GREEN**



**GRAY**



*Gyms For Dogs - Cool Dog Water Fountain products, designs, color schemes, and specifications are exclusive and proprietary as offered. All Rights Reserved. Please contact company if interested in product distribution.*



## **PRIOR TO INSTALLATION**

1. Read all installation instructions carefully before proceeding.
2. Carefully remove fixture from packaging, preventing scratching or damage.
3. Provide mounting surface, sufficient to support the fixture and loads on the fixture.
4. Provide rough-ins as shown on the roughing-in and dimensional drawing, including water supply, drain pipe and gravel drain well.
5. Completely flush water supply lines of all foreign debris, before connecting to the fixture.

## **START UP**

Air within the bowl system or the structure supply piping will cause an irregular spout outlet stream until purged out by incoming water. Press and hold pushbutton until steady water stream is achieved.

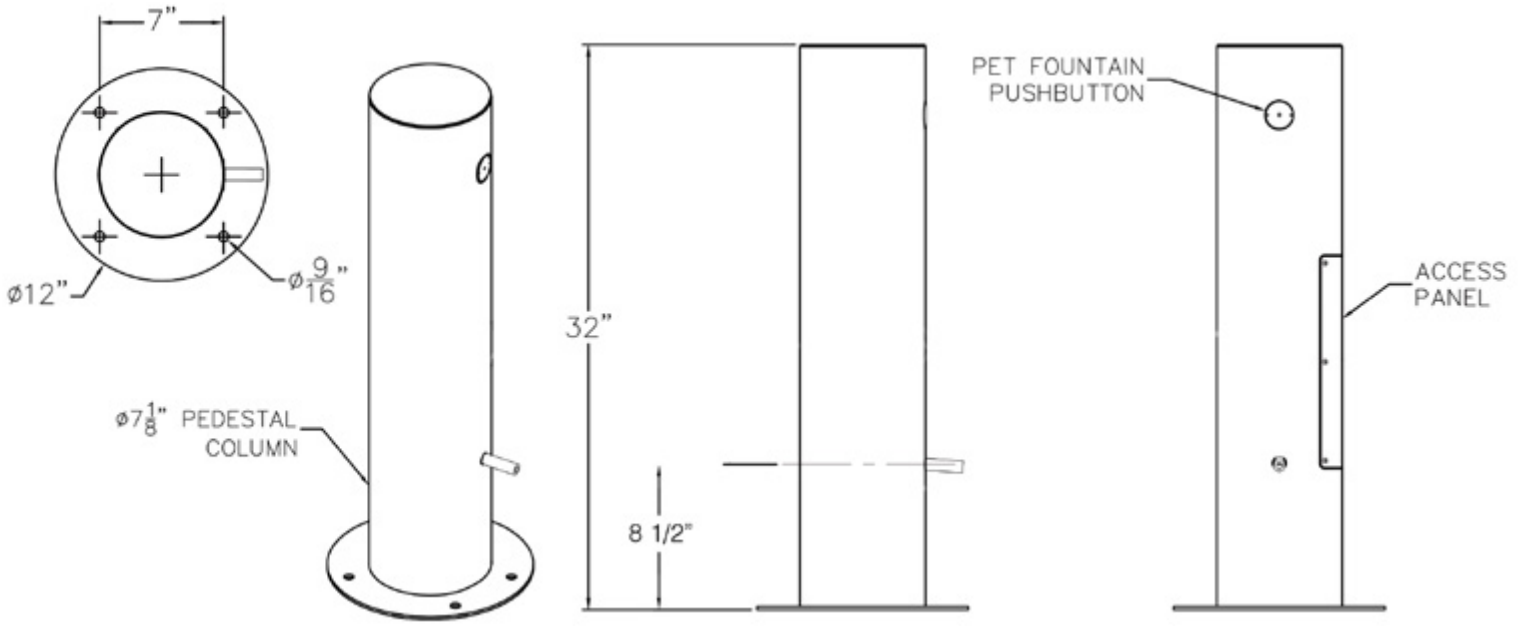
## **INSTALLATION (see drainage & mounting roughing-in)**

1. Locate the unit over rough-ins on mounting pad, mark mounting holes in base flange.
2. Tilt the unit down on its side, next to the mounting location. Install ½” mounting anchors (by others). Optional – IAP (in-ground anchor plate) which is cast into the concrete, is available.
3. Make up 1-1/4” OD drain tube into the open ended DWV drain tube (by others). Connect the ½” male NPT fitting to a potable water supply. Then tilt the unit into place, making sure that the tubing is not pinched or kinked. Secure the base flange to the mounting pad.
4. Test for leaks and proper operation, and then install the access panel.

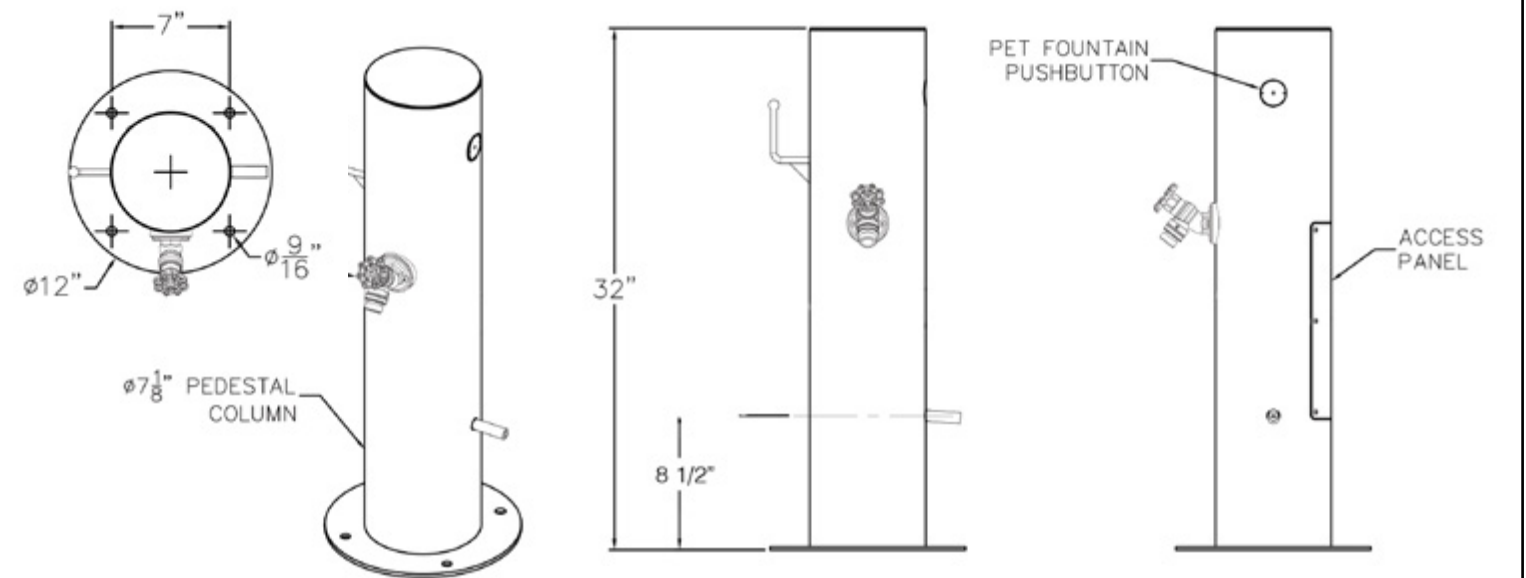
## GENERAL NOTES

1. All dimensions are in inches.
2. Stop valve not provided.

### DL-1000-DD



### DL-1000-DD-DWC



## TROUBLESHOOTING

### 1. Restricted or No Water Flow

- a. Ensure Water Supply service stop valve is fully open.
- b. Verify minimum 20 psi supply line flow pressure.
- c. Check for twist or kinks in spout tubing.
- d. Check the water inlet “Y” strainer. Sediment from the main supply can get trapped in the screen along with installation materials such as pipe dope and flux. The screen should be cleaned and checked on a regular basis and replace if needed.
- e. Flow control in solenoid valve outlet elbow clogged remove & clean.

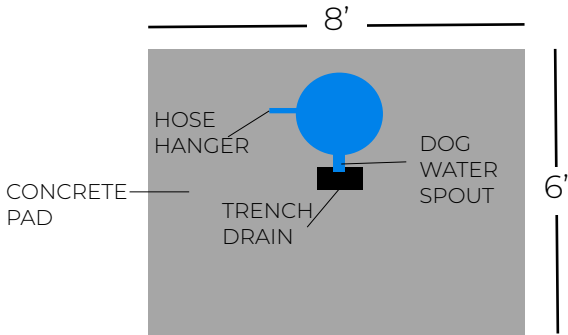
## CLEANING AND MAINTENANCE

1. To remove water spots or rust spots, stainless steel cleaner/polish on a cloth is recommended.
2. If there are stubborn spots or if you wish to treat a scratch, synthetic abrasive general purpose pads such as Scotch Brite are recommended.
3. Apply stainless steel cleaner/polish to the synthetic abrasive pads and carefully rub the panel with the grain.
4. DO NOT use harsh chemicals, abrasive or petroleum based cleaners. Use of these will void the warranty. DO NOT use abrasives on powder coated units.
5. Stainless steel should be kept clean at all times. If a coating of stainless steel cleaner/polish is maintained, stainless steel surfaces will retain their new, clean & polished appearance indefinitely.
6. Periodically remove access panel of cooler and clean out inline “Y” strainer

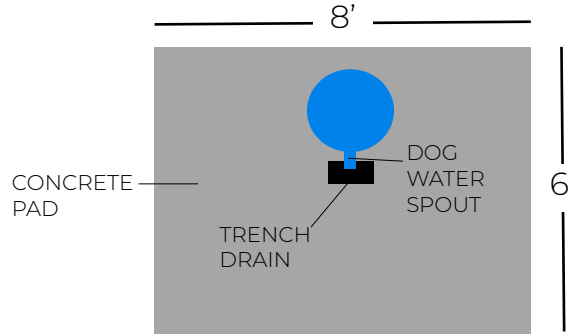
## CONCRETE PAD

Water fountain must be secured to a concrete pad no smaller than what is recommended below (see images for dimensions (*not to scale*)).

### DL-1000-DD-DWC



### DL-1000-DD

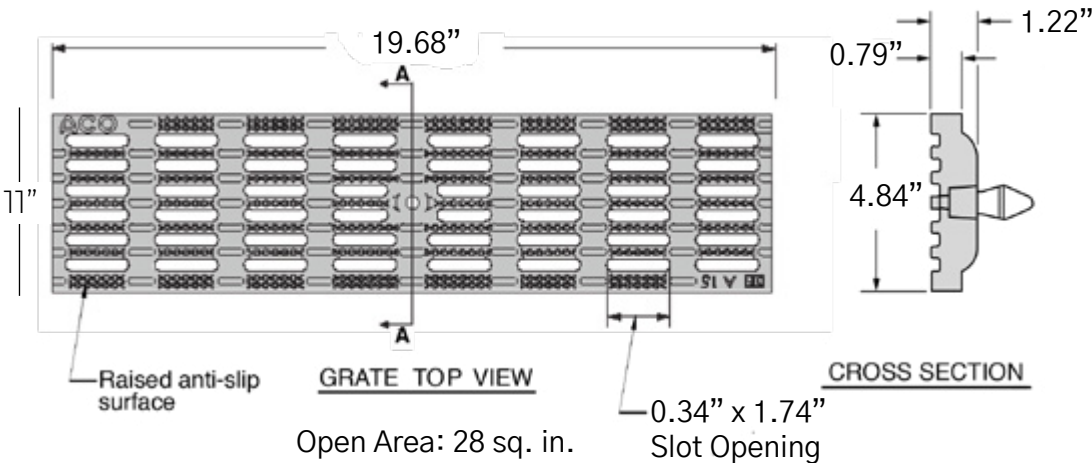
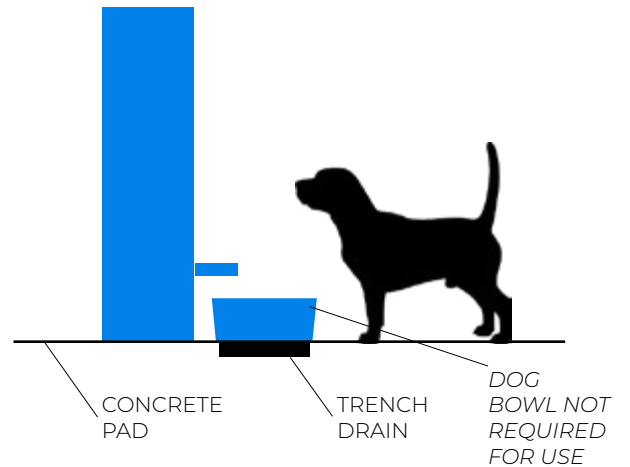


## OPTIONAL TRENCH DRAIN GRATES (not included) Recommended Materials



- Light duty, 3,500 lbs – 70 psi
- For pedestrian, wheel chair and bicycle traffic
- Best not to use stainless steel.
- Trench drains will keep pad dry in areas where water can collect.

### Example



## **WARRANTY**

The Manufacturer warrants that its products are free from defects in material or workmanship under normal use and service for a period of one year from date of shipment from the factory. The Manufacturer's liability under this warranty shall be discharged solely by repair or replacement of defective material, provided the Manufacturer is notified in writing within the time periods described above. Images must be submitted to evaluate condition of product.

This warranty does not cover installation or labor charges and does not apply to materials, which have been damaged by other causes such as mishandling or improper care or abnormal use. The repair or replacement of the defective materials shall constitute the sole remedy of the Buyer and the sole remedy of the Manufacturer under this warranty. The Manufacturer shall not be liable under any circumstances for incidental, consequential or direct charges caused by defects in the materials, or any delay in the repair or replacement thereof. This warranty is in lieu of all other warranties expressed or implied. Product maintenance instructions are issued with each unit and disregard or non-compliance with these instructions will constitute an abnormal use condition and void the warranty. Stainless steel must be protected on jobsite during construction and must be properly maintained after the water has been introduced into the water cooler or drinking fountain, or the Manufacturer's limited warranty is void.

## **LIMITED WARRANTY – UNITED STATES & CANADA**

**LIMITED EXPORT WARRANTY – One year on parts only.**